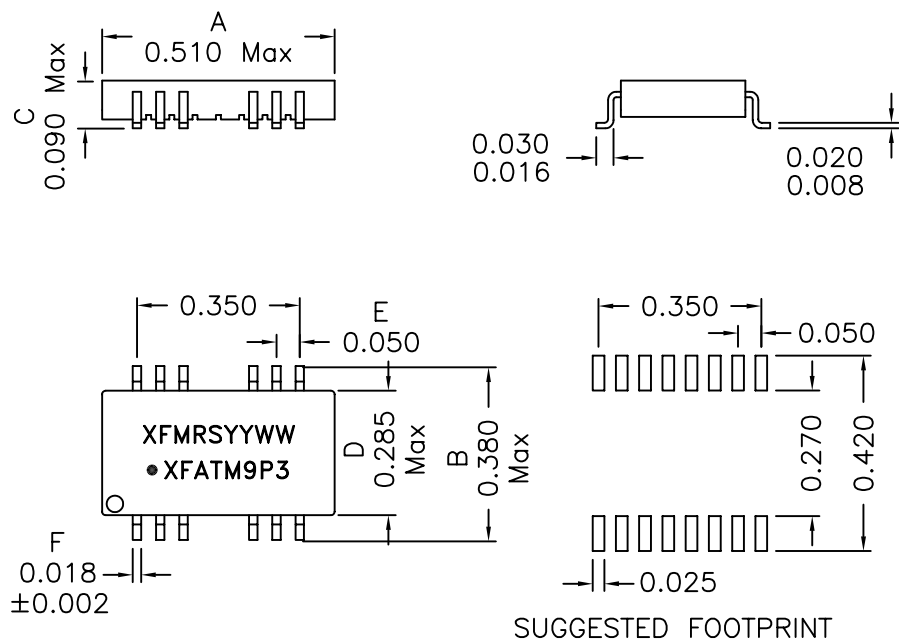


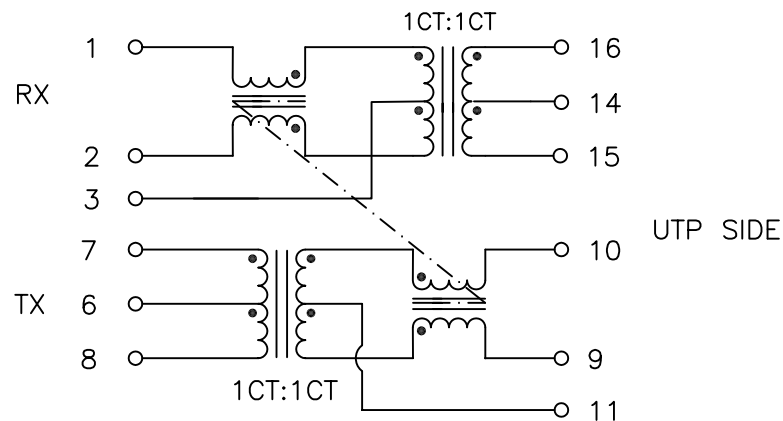
1. Mechanical Dimensions:



Notes:

1. Solderability: Leads shall meet MIL-STD-202G, Method 208H for solderability.
2. Flammability: UL94V-0
3. ASTM oxygen index: > 28%
4. Insulation System: Class F 155°C. UL file E151556
5. Operating Temperature Range: All listed parameters are to be within tolerance from -40°C to +85°C
6. Storage Temperature Range: -55°C to +125°C
7. Aqueous wash compatible
8. SMD Lead Coplanarity: ±0.004"(0.102mm)
9. Electrical and mechanical specifications 100% tested
10. RoHS Compliant Component

2. Schematic:



3. Electrical Specifications: @25°C

UTP Impedance: 100 OHMS

Turns Ratio: TX : 1CT:1CT ±2% RX : 1CT:1CT ±2%

Isolation Voltage: 1500 VAC (Input to Output)

UTP Side OCL: 350uH Minimum @100KHz,100mV

Rise Time (10-90%): 2.0ns Typical

Insertion Loss (1-100MHz): -1.0dB Maximum

Return Loss(5-100MHz): -12dB Typical

CMRR (1MHz-100MHz): -40dB TYPICAL

Crosstalk Attenuation: -50dB Typ.

Q: 5 Min @10KHz 50mV

DOC. REV: A/7

| | | | |
|--|--|-----------------------------------|-----------|
| XFMRs Inc. www.XFMRs.com | | Title: 10/100BASE-TX MAGNETICS | |
| UNLESS OTHERWISE SPECIFIED TOLERANCES: .xxx ±0.010 Inch Dimensions in Inch/mm | | P/N: XFATM9P3 | REV. A |
| | | DWN. Feng | Mar-07-12 |
| | | CHK. YK Liao | Mar-07-12 |
| SHT 1 OF 1 | | APP. BW | Mar-07-12 |

PROPRIETARY

Document is the property of XFMRs Group & is not allowed to be duplicated without authorization.